

HITCHINS' INDEX Torch-on Detail Drawings INTRODUCTION

The following drawings have been produced to assist specifiers and applicators. They clearly show what is required not only in installation, but in the finishes.

For clarity we have produced the drawings in colour as per the codes below:-



INDEX' Membrane



INDEX' Accessories



Substrates - Plywood



Supporting Structure



Metal Roof



Joint Sealant

Hitchins New Zealand Limited
Wellington Office
7 Masefield Street
PO Box 40 749
Upper Hutt
Wellington

Phone: (04) 527 7248
Fax: (04) 528 4813



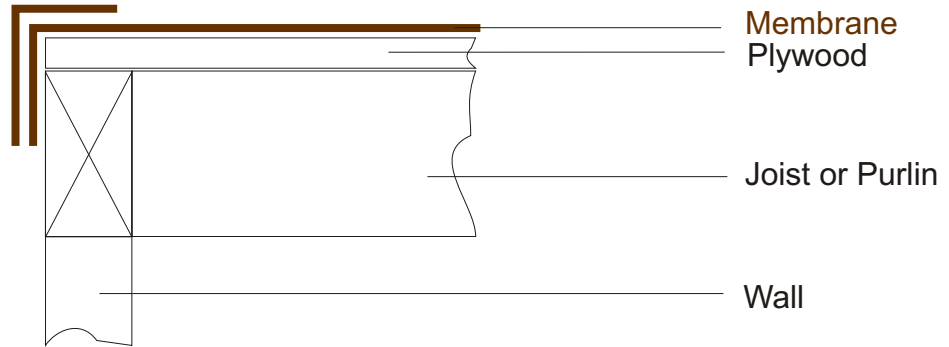
www.hitchins.co.nz

Auckland Regional Office
300 Richmond Road
Grey Lynn
PO Box 46 018
Herne Bay
Auckland

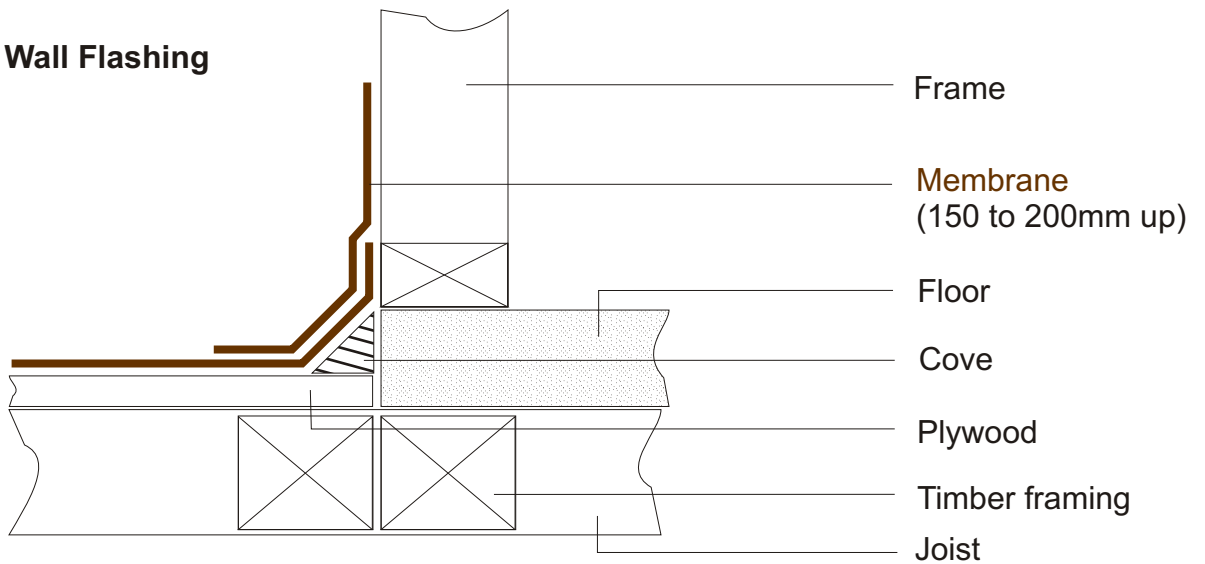
Phone : (09) 360 3246
Fax: (09) 360 5081

INDEX Torch On Membrane Details - B Standard Flashings

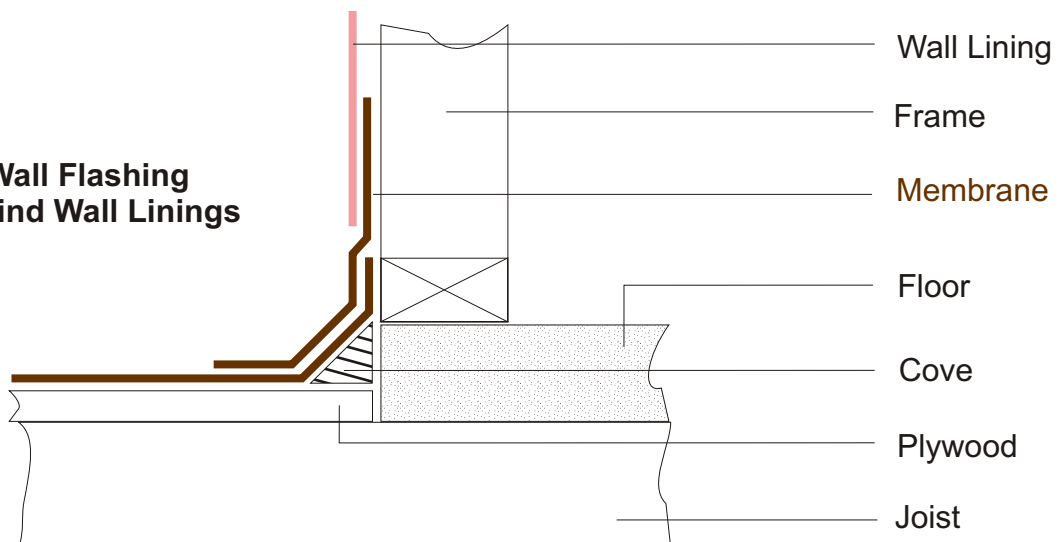
(1) Fascia Flashing Detail



(2) Wall Flashing

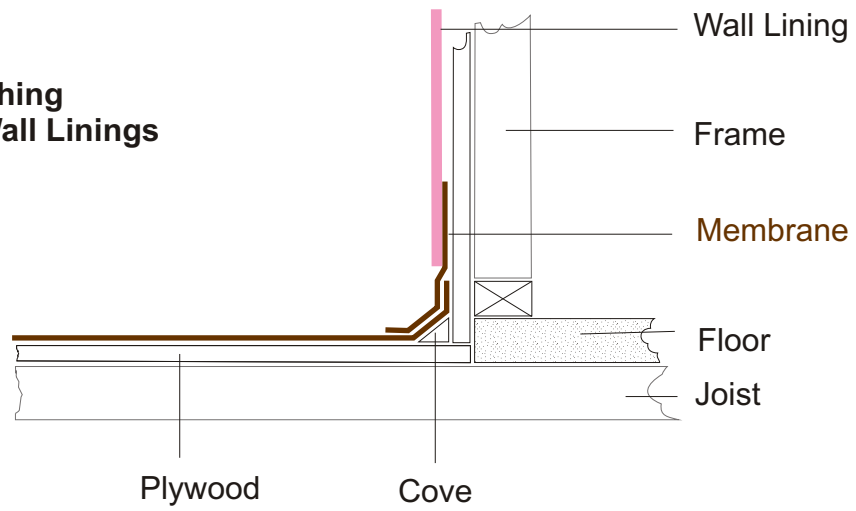


(3) Wall Flashing Behind Wall Linings

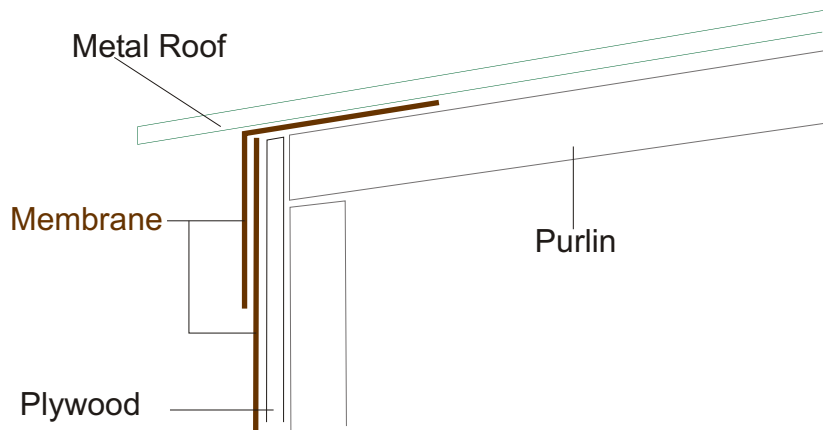


INDEX Torch On Membrane Details - C Flashing to Walls & Roofs

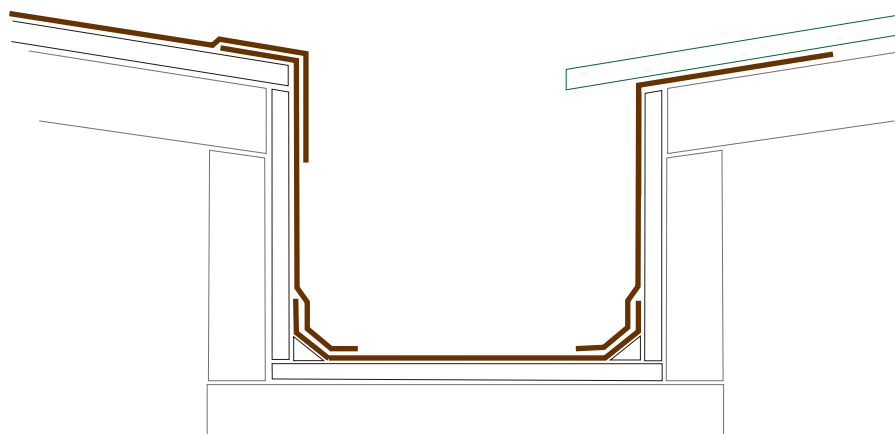
(1) Wall Flashing Behind Wall Linings



(2)

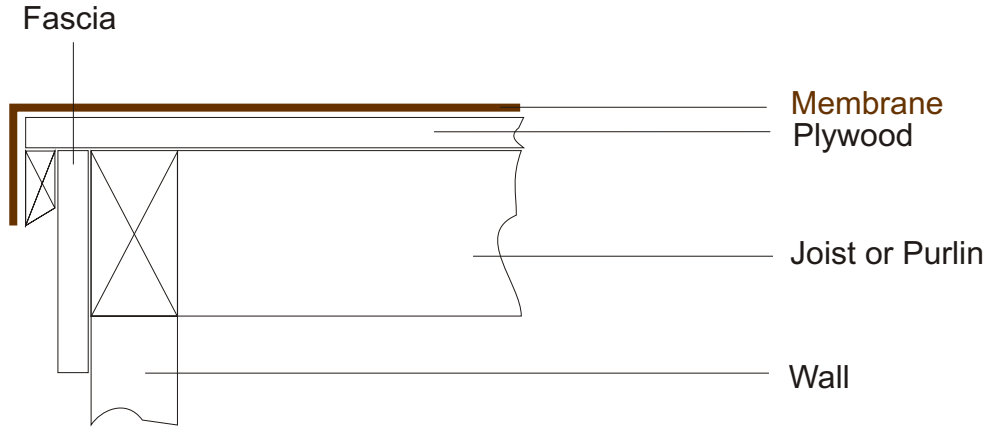


(3) Gutter to Underside of Roof

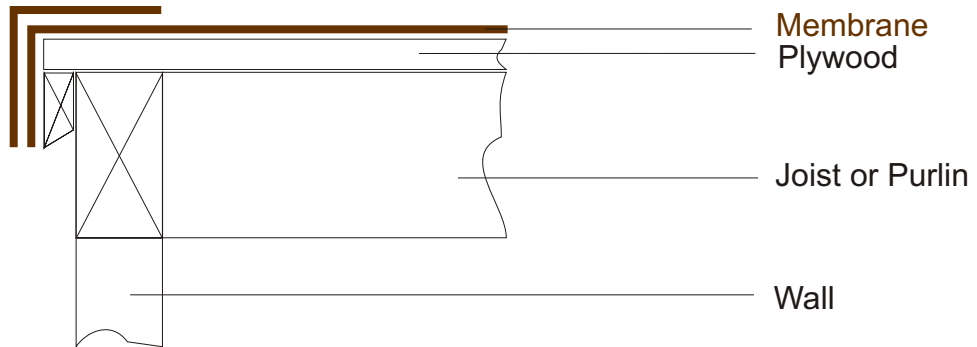


INDEX Torch On Membrane Details - D Fascia

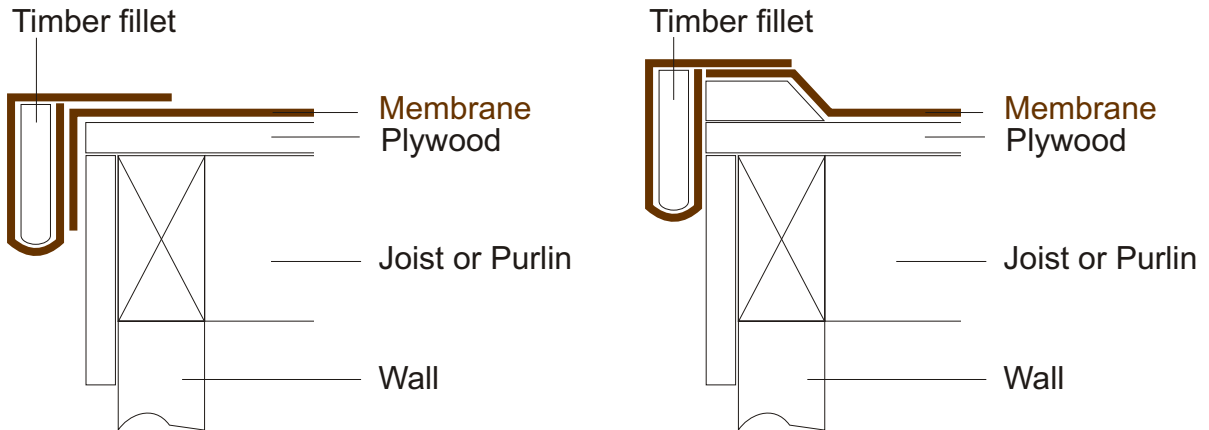
(1) Standard Fascia Flashing Detail



(2)



(3) Wrap around Membrane Fascia Details

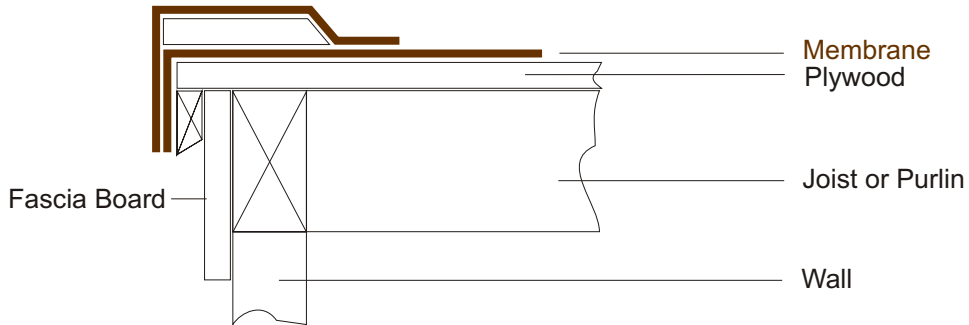


(a)

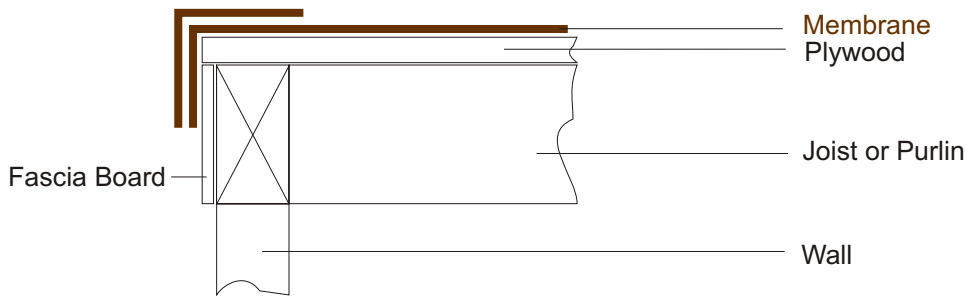
(b)

INDEX Torch On Membrane Details - E Barge Flashings

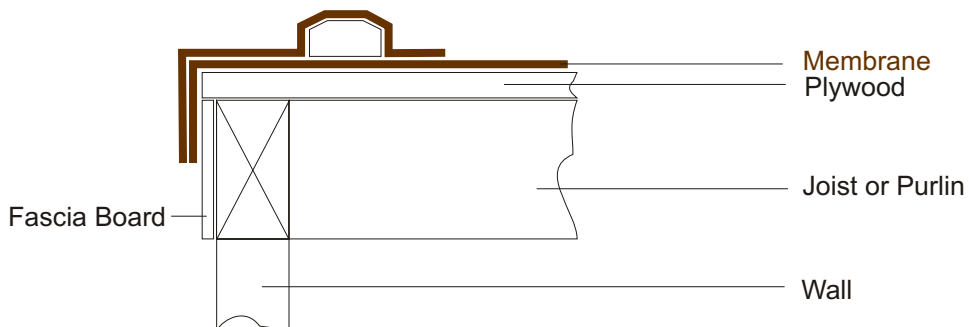
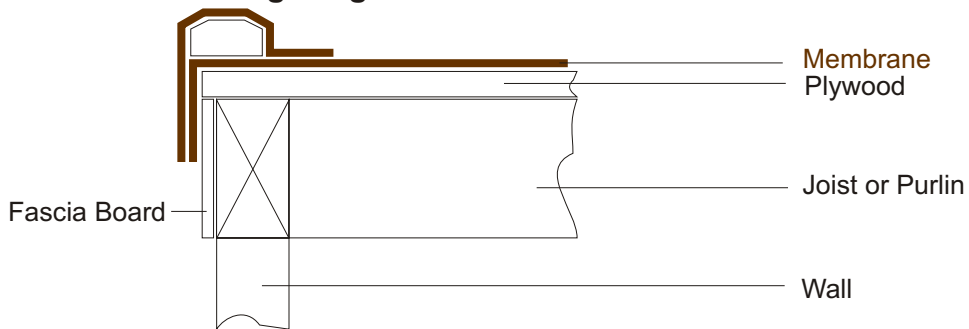
(1) Barge Finish Detail



(2) Standard Barge

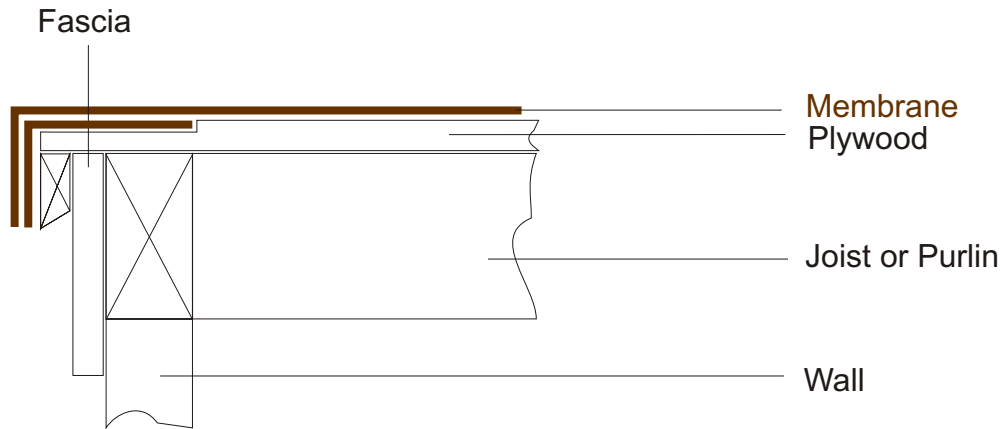


(3) Fentone Moulding Barge Detail

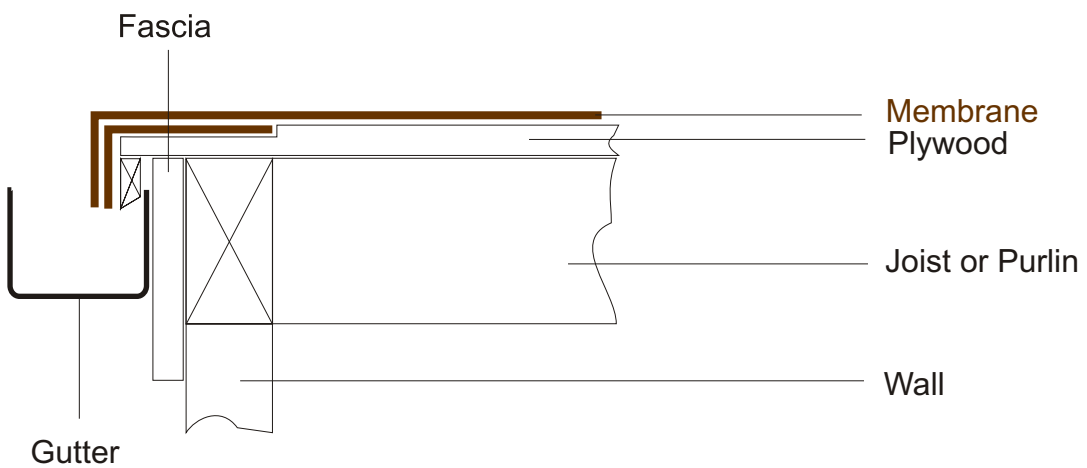


INDEX Torch On Membrane Details - F
Recessed Flashing For Low Fall Substrates

(1) Fascia Detail - Drip Edge (Recessed System)

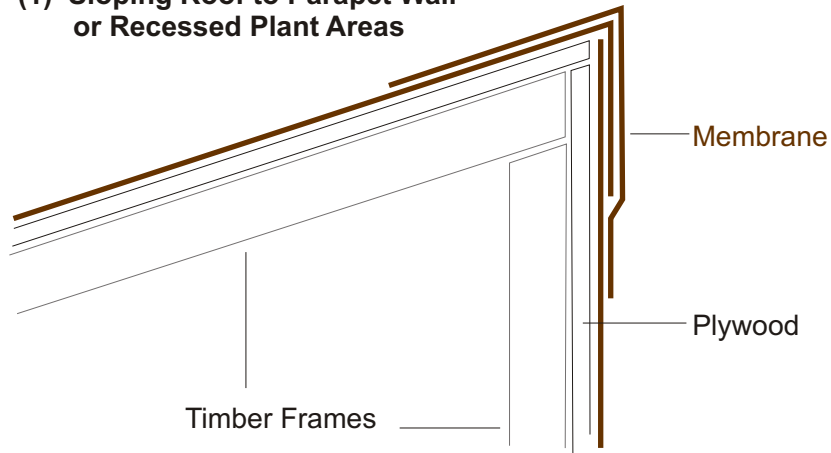


(2) Drip Edge Detail into Gutter

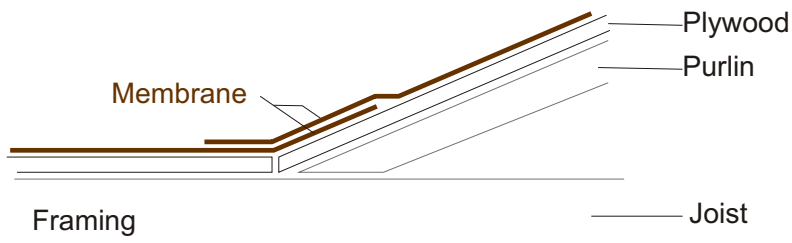


INDEX Torch On Membrane Details - G Sloping Roofs

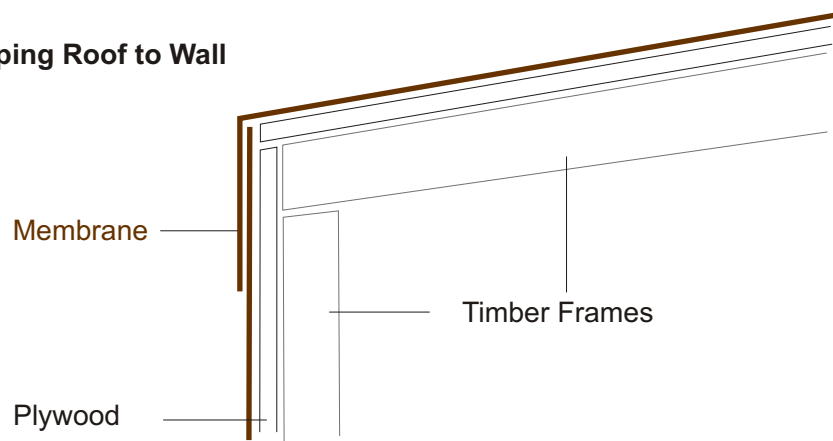
(1) Sloping Roof to Parapet Wall or Recessed Plant Areas



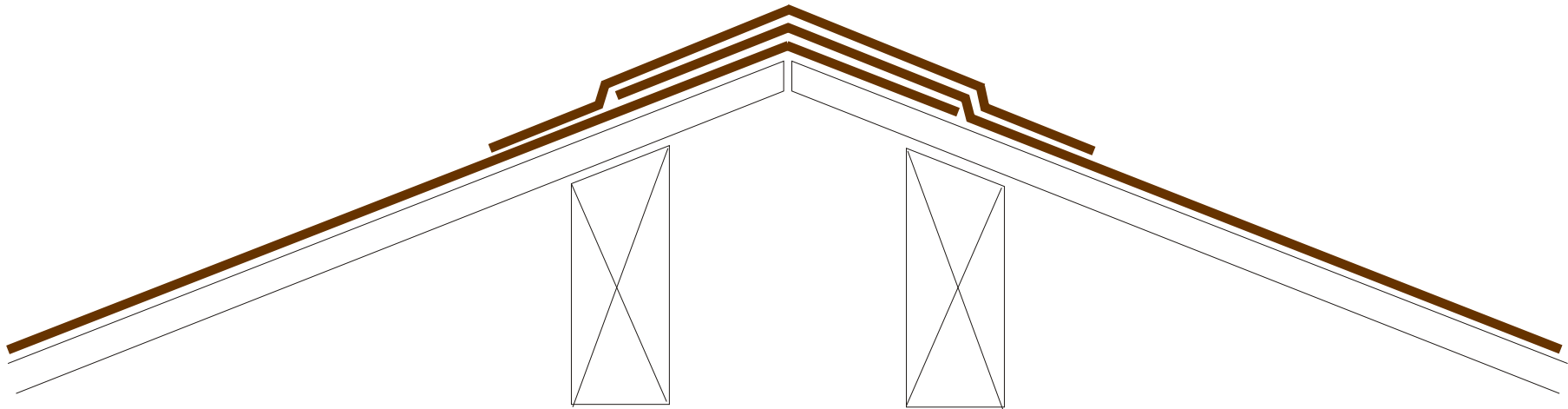
(2) Sloping Roof Flashing to Flat Deck or Gutter



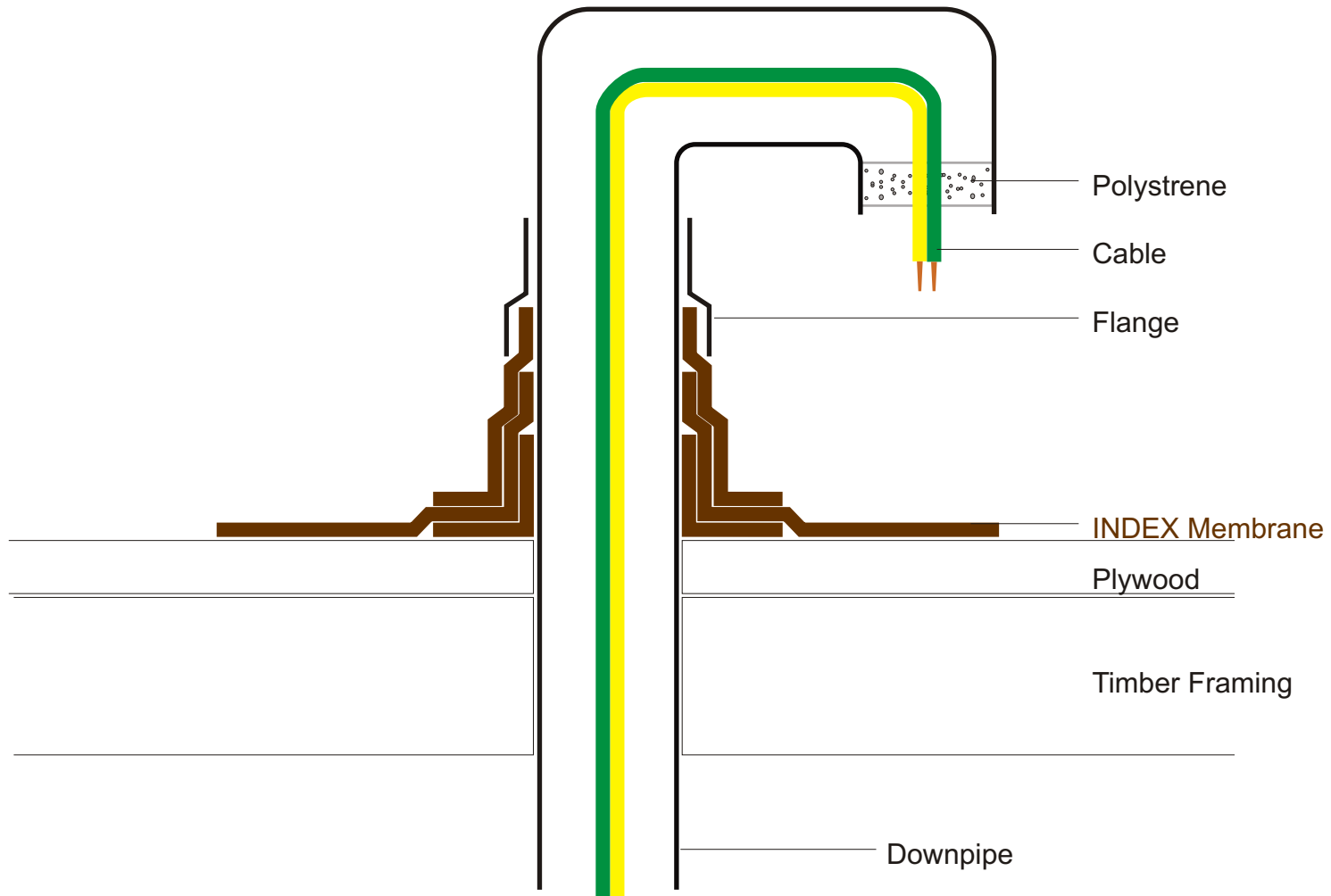
(3) Sloping Roof to Wall



INDEX Torch On Membrane Details - H Hip Roof Flashing

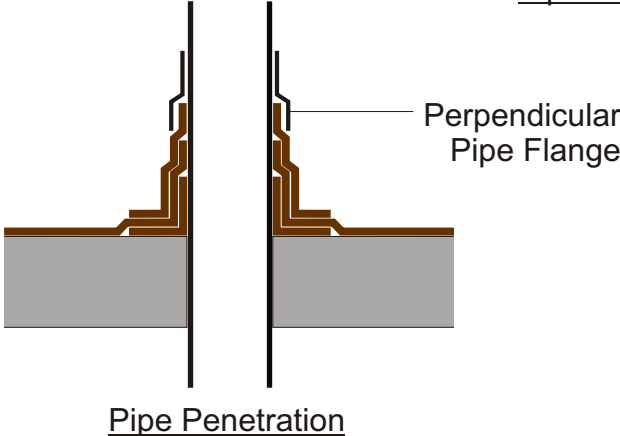
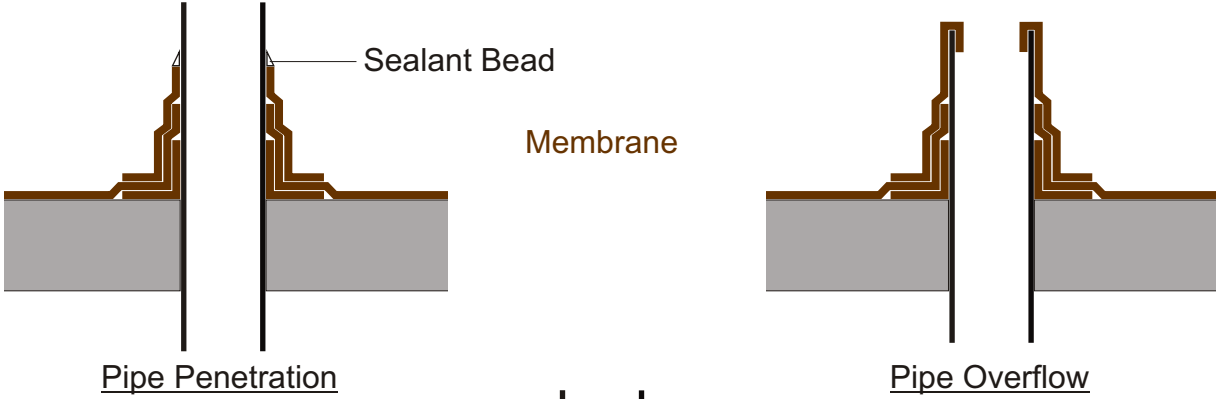


INDEX Torch On Membrane Details - I **Cable Outlet**

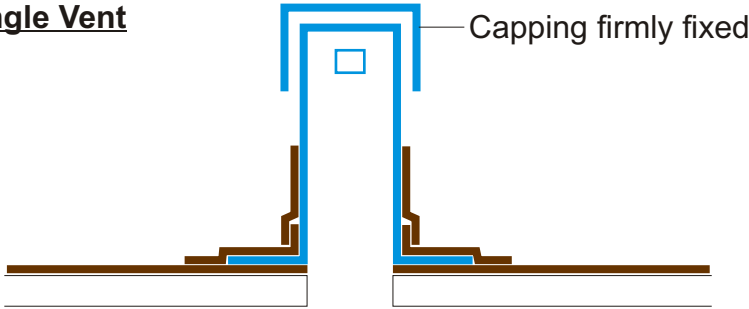


(1) Flashing to Pipe

(2) Flashing to Overflow Pipe

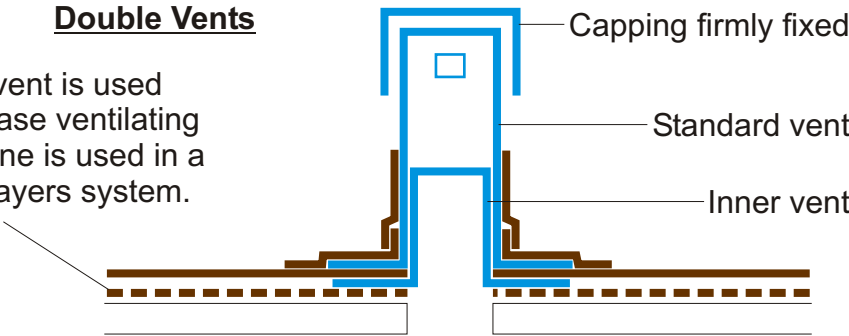


Single Vent



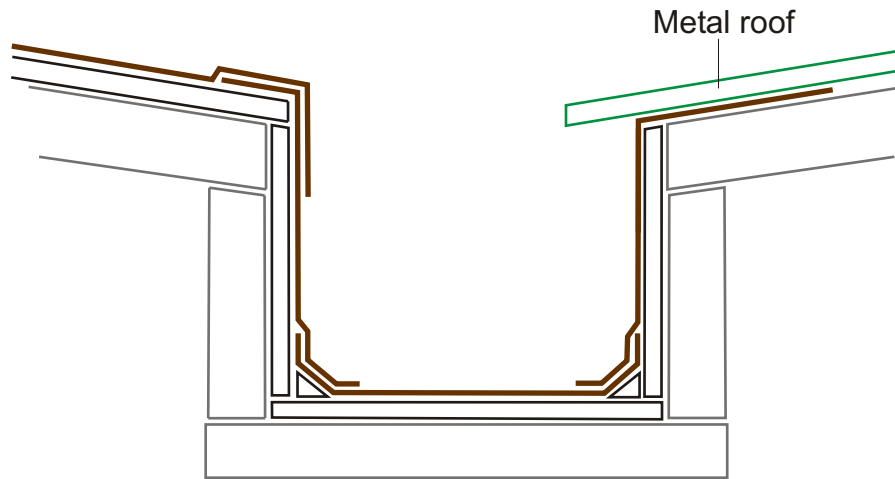
Double Vents

Double vent is used where base ventilating membrane is used in a double layers system.

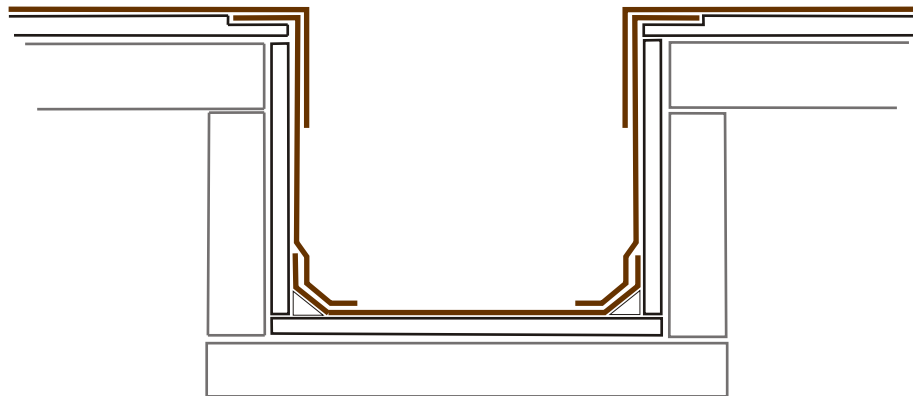


INDEX Torch On Membrane Details - K Gutters 1

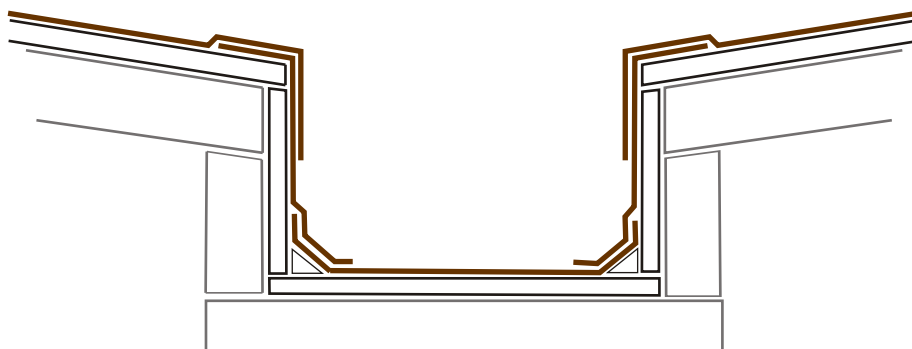
(1) Gutter to Underside of Roof



(2) Gutter - Recessed Detail to Flat Roof

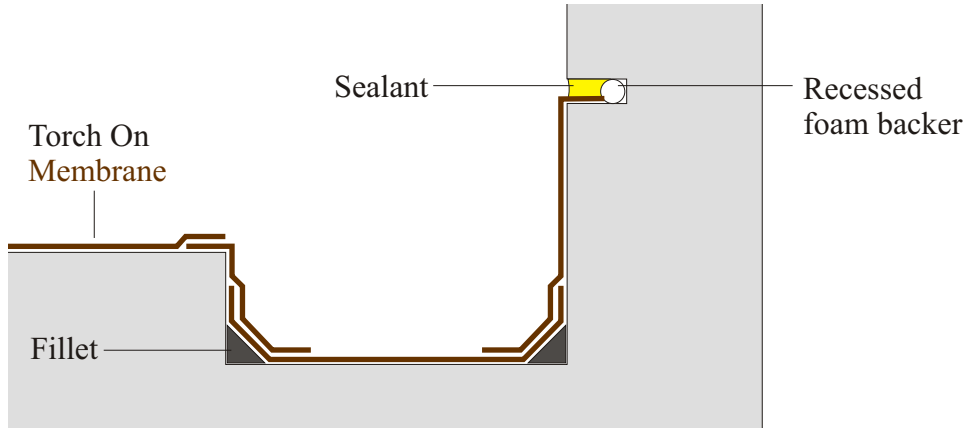


(3) Internal Gutter to Roofs

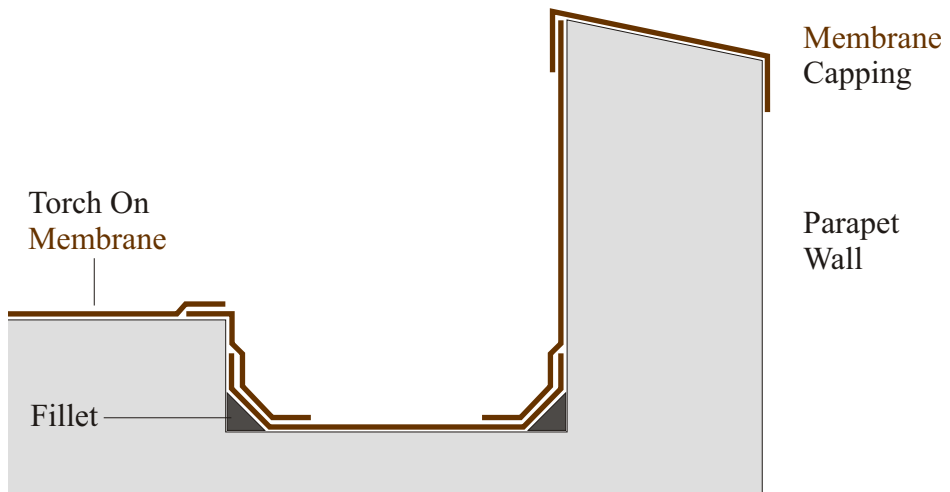


INDEX Torch On Membrane Details - L Gutters 2

Gutter to Parapet Nib

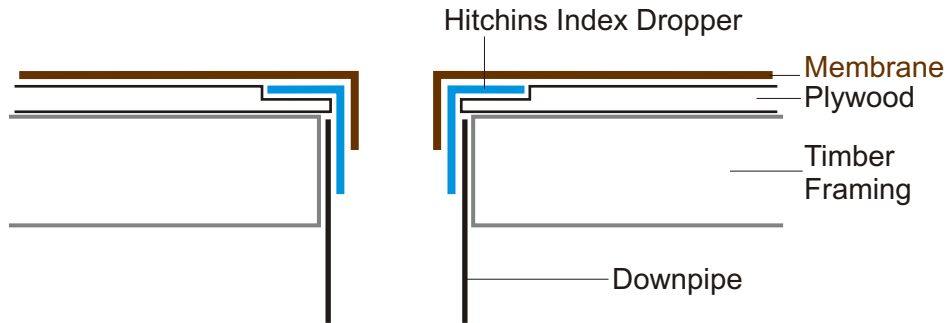


Gutter and Parapet Wall

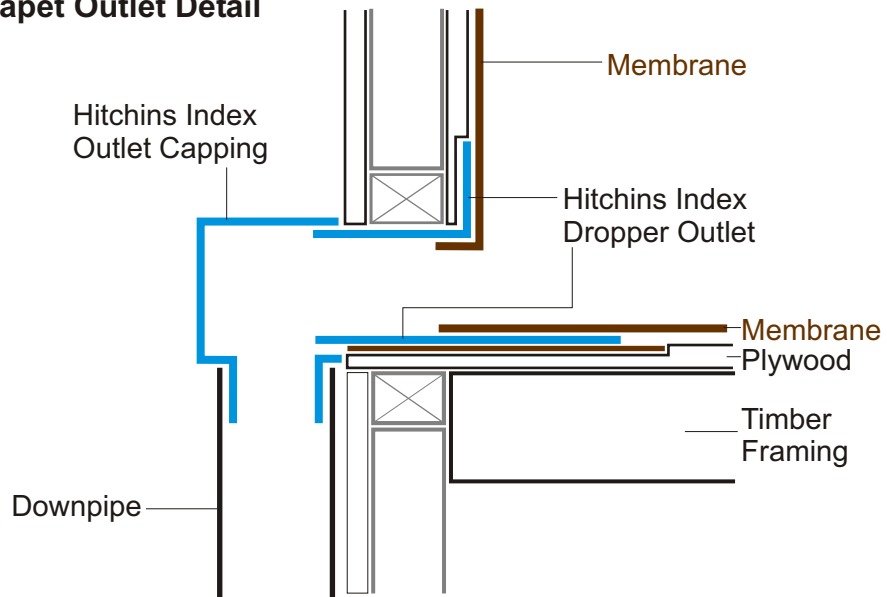


INDEX Torch On Membrane Details - M Outlets

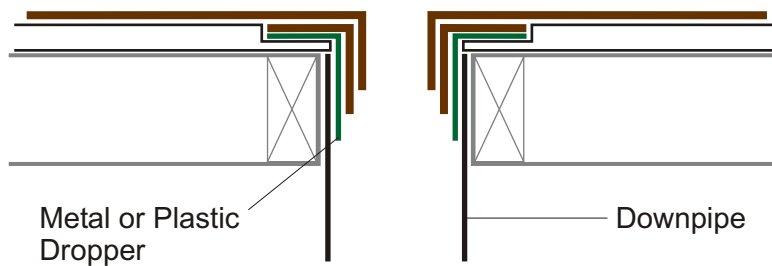
(1) Roof Outlet Detail to Down Pipes



(2) Parapet Outlet Detail

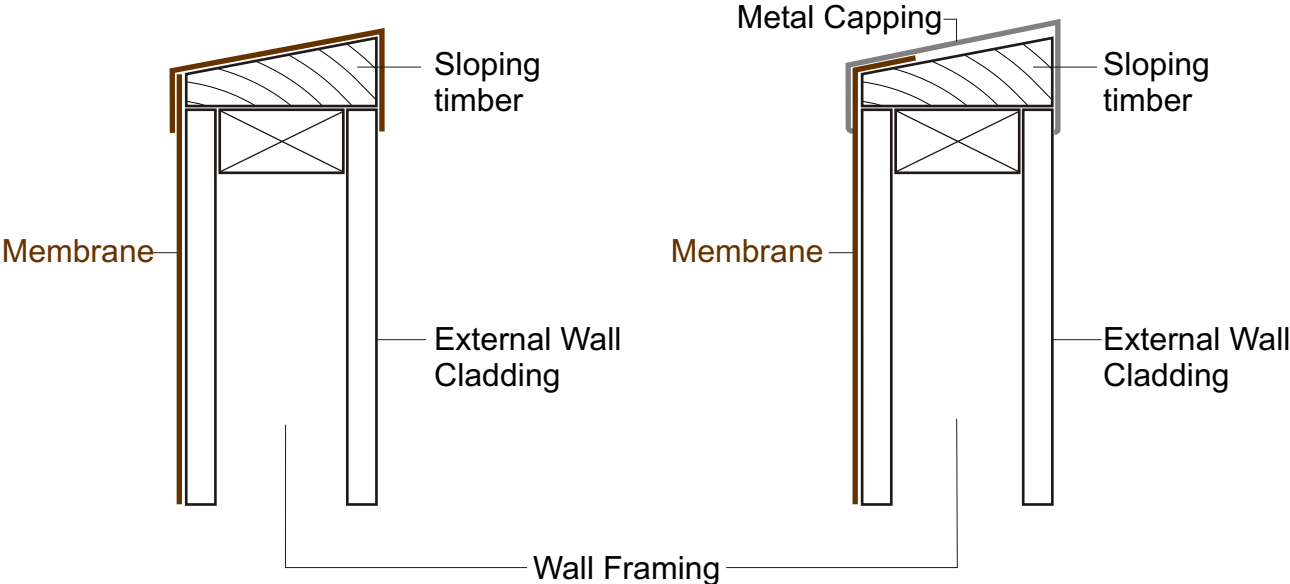


(3) Outlet involving a metal or plastic dropper into down pipe

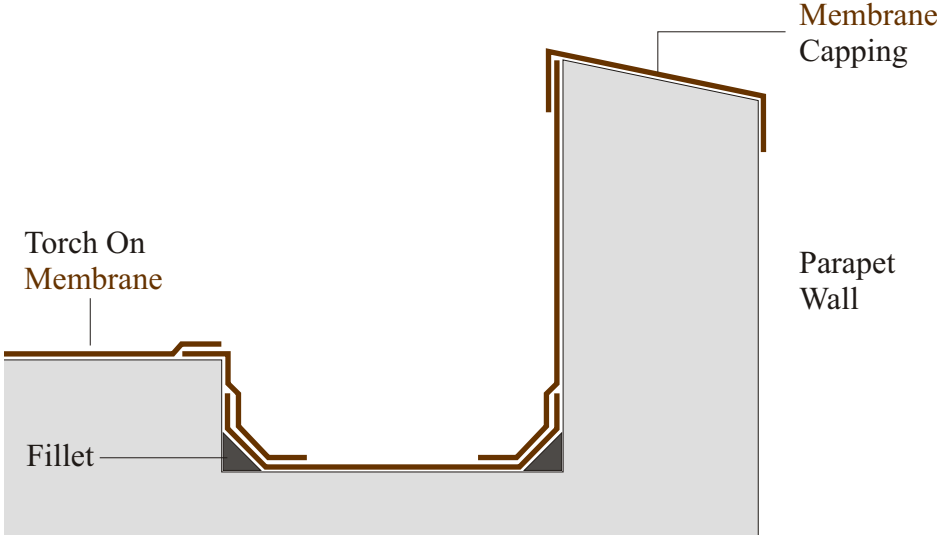


INDEX Torch On Membrane Details - N Parapets

(1) Parapet Capping

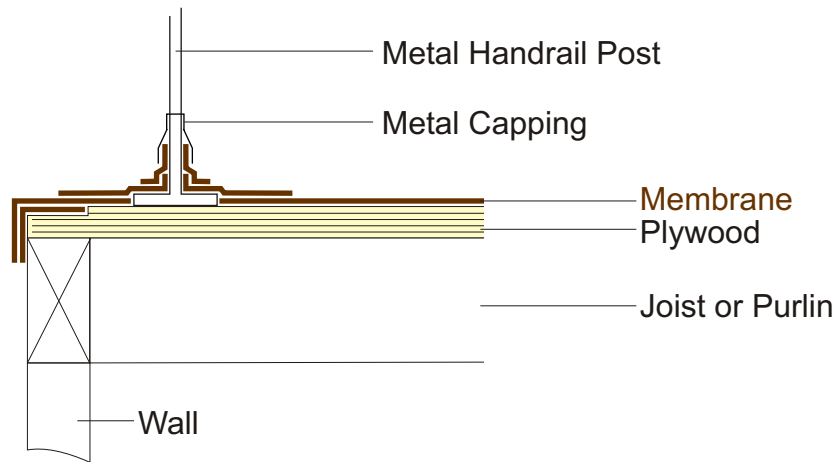


21. Gutter and Parapet Wall

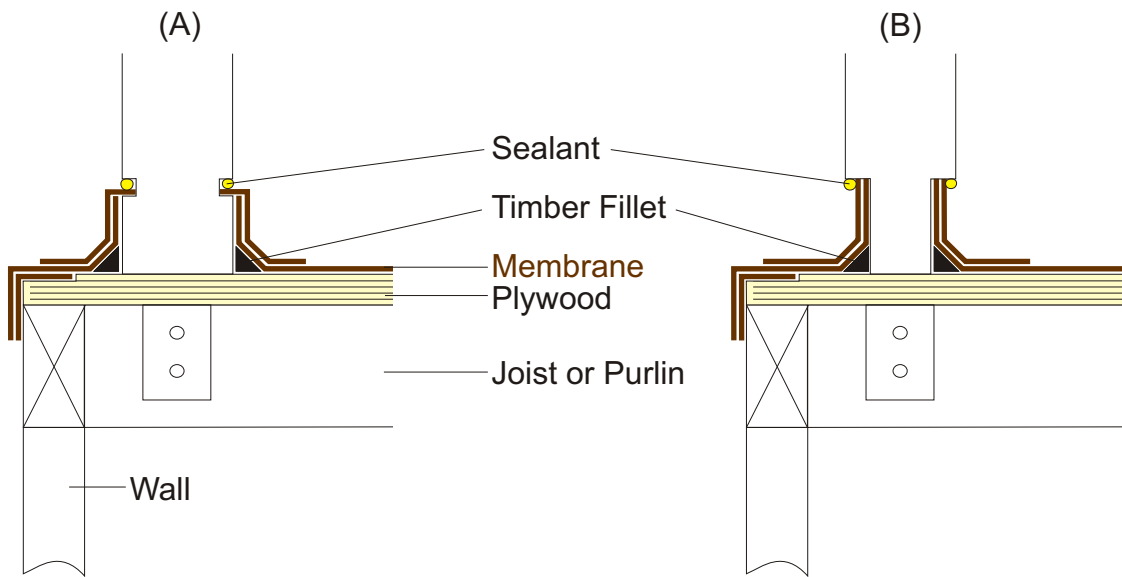


INDEX Torch On Membrane Details - O Balustrade

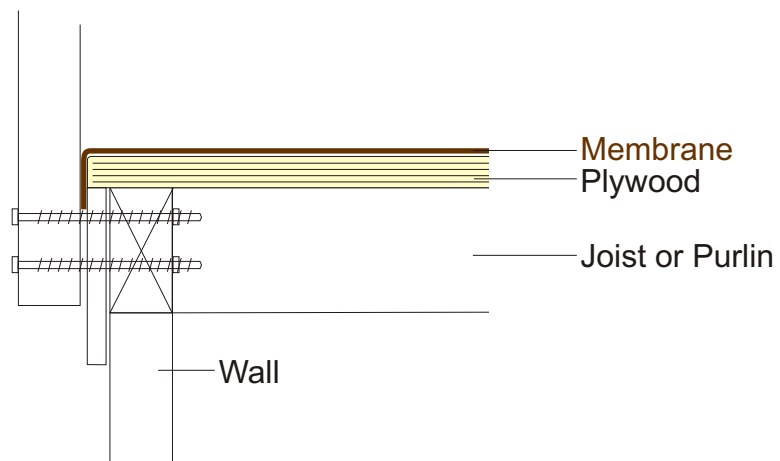
(1)



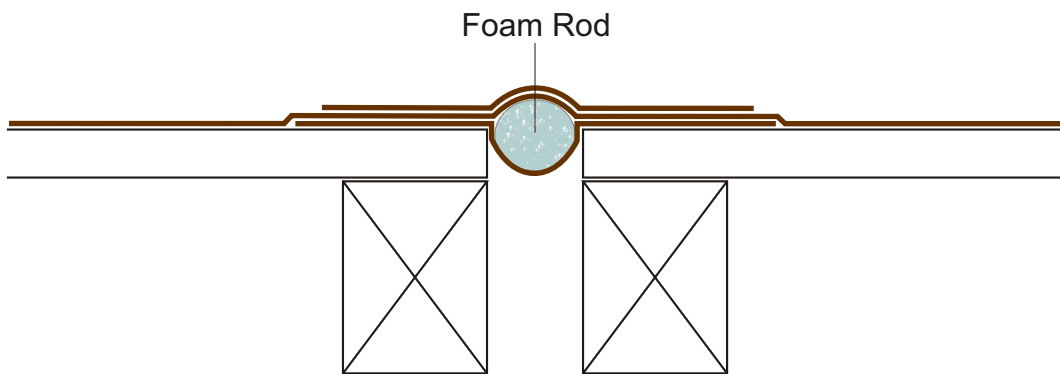
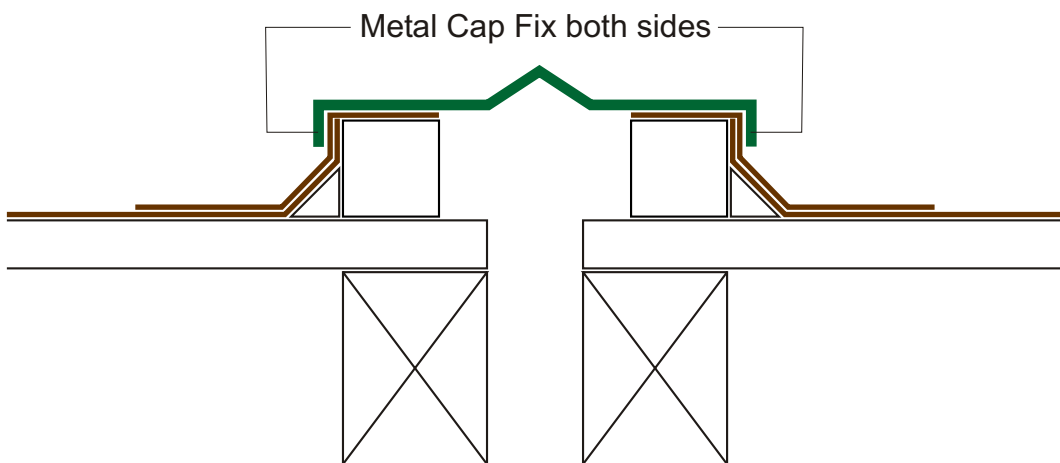
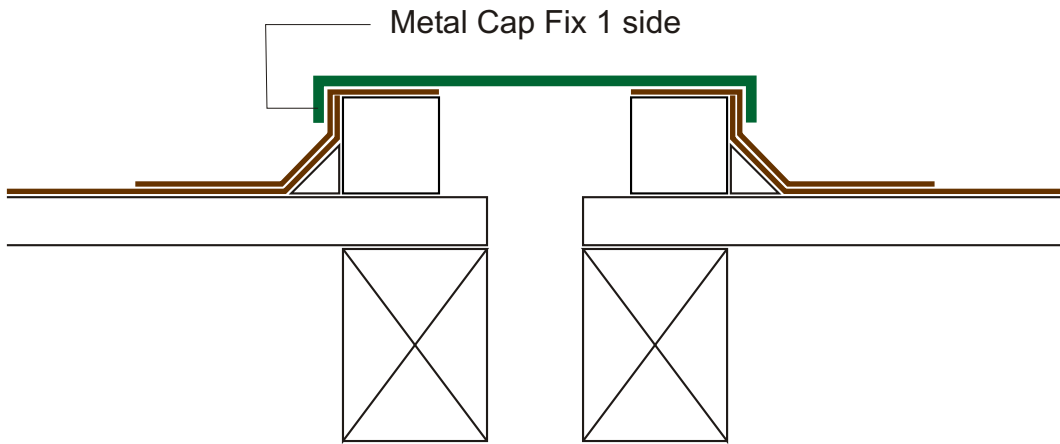
(2) Timber handrail and post flashings



(3) Metal or wooden handrail upstand fixed to fascia



INDEX Torch On Membrane Details - P
Expansion Joint Systems

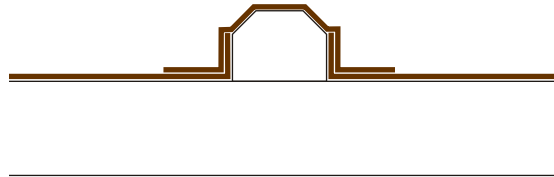


INDEX Torch On Membrane Details - Q
Feature Moulding Roof Design

(1)



(2)



(3)

